

**Industrial monitors with full flexibility**

The NRN line monitors are manufactured by a leading European company with more than 12 years of experience in design and manufacturing of industrial and marine monitors. This ensures meeting the demands of today's professional applications. The most facilities for design and engineering are in-house.

Display- enhancement (optical bonding) and touch screen integration (lamination) are also part of the in-house activities. This brings full flexibility in the features needed for a given application. With business partners for industrial computing most projects with touch displays can be realized, even with integrated PC (Panel-PC).

With the new series of monitors, the NRN-Line, special attention has been taken regarding robustness in a stylish housing. All models within the NRN-line are based on the same concept chassis and can be configured to your needs and all options are available on each model. Below you can find some examples

- Switching between VGA, DVI-D, HDMI and PAL/NTSC inputs
- Metal bezel or Full-glass version
- Projected capacitive (PCAP) or Resistive touchscreen
- Transflective enhancement
- Deep dimming backlight with front or external control
- Optical Bonding
- Wide range DC input
- Stainless steel front on the Panelmount units
- Rugged desk stand for VESA mount units available
- Further customized version on request

The OSD standard is setup via rubber buttons at the rear side of the monitor. The extended versions however can have an additional source select button via capacitive sensor integrated in the glass. The versions with a decoder at the front surface, can have full control of source-select, dimming, on/off and OSD through just this one control.

If you have any question or special request, feel free to ask our experts!

**42" Industrial LCD Displays**  
*VESA-, Chassis*  
**NRN420 Series**



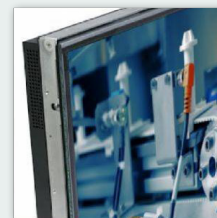
(Picture: 19" version)



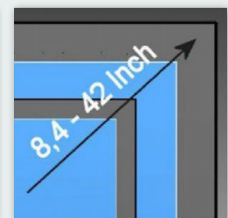
Glass Desktop



Metal Desktop



Rear Mount



Wide Range



Control



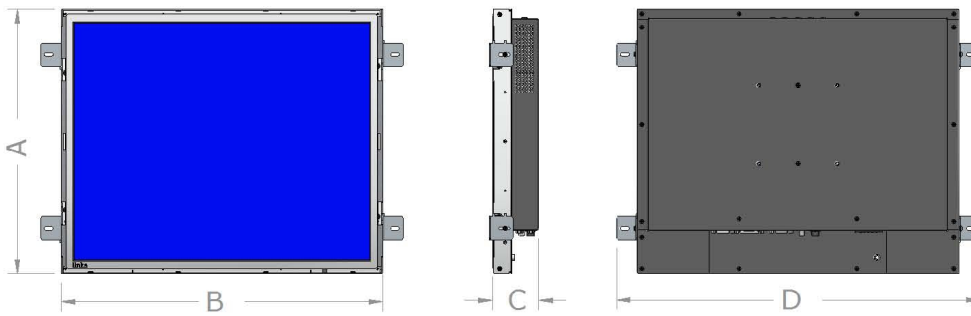
Flexible I/O

Specifications: see next pages

## Chassis and VESA versions

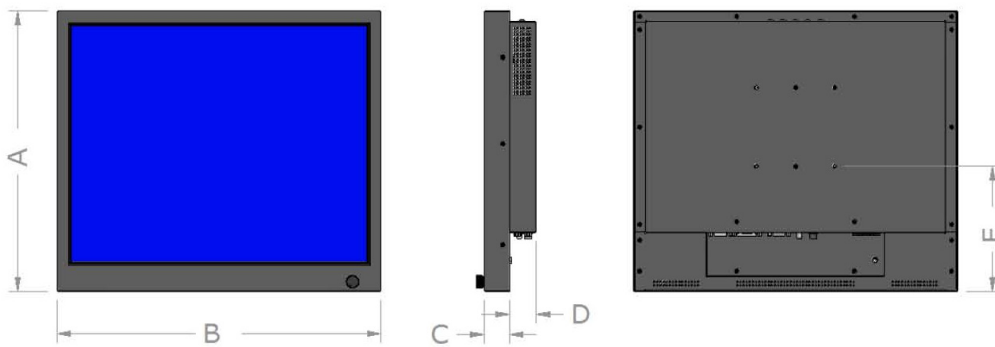


### Rear Mount Chassis



Dimensions	
A	567.1 mm
B	974.2 mm
C	86.5 mm
D	1027.2 mm

### VESA Mount



Dimensions	
A	569.9 mm on versions V
B	977.2 mm
C	5.0 mm on versions V, VE
D	61.0 mm
E	207.5 mm
VESA	600x200 M6

Specifications: see next page

Specifications		
Display	TFT Max. Resolution Video Pixel pitch Active Display Area Aspect Ratio Contrast Ratio Brightness Viewing Angles (at CR>10) Backlight life Number of Colours	a-Si TFT Active Matrix 1920 x 1080 pixels Full HD (1080) 0.484 mm 930 x 523 mm 16 : 9 4000 : 1 500 cd/m <sup>2</sup> typical 178°H, 178°V 50.000 hours 16.7 Million
Enhancements	Transflective Enhancement * Optical Bonding * AR/AG Glass *	For sunlight readability To avoid dust and minimize reflections To minimize reflections
Power Supply	90 - 265VAC, 50/60Hz 12VDC 9 - 36VDC *	Separate Power Pack (50W) Standard DC jack Screw Connection
Signal Inputs	Analog Digital PAL/NTSC video	D-sub HD15 (VGA) DVI-D & HDMI Qinch, with optional BNC adapter
Dimming Backlight *	Integrated dimming External Dimming Central Dimming Auto dimming	Potmeter, Encoder Potmeter, Encoder, +/- Buttons External potmeter, Voltage 0-5VDC External light sensor
Touchscreen *	Technology Communication Connection	Projected Capacitive, Resistive USB, RS232 USB B-type, 9p D-sub
Environmental	Operating Temperature Storage Temperature	0 ~ 50 °C -20 ~ 65 °C
Mechanical	Chassis VESA and Panelmount IP-rating (front only)  Weight	Aluminium Steel, Black powder coated RAL9005 IP65 (metal front versions) IP66 (full glass front versions) T.B.D.
* = Optional		

Specifications are subject to change without notice.

Part numbers		
Rear mount Chassis	NRN420C	Extended front with front controls
VESA mount with Metal front	NRN420V NRN420VE	
VESA mount with Full Glass front	NRN420VG NRN420VGE	Extended front with front controls

## • Monitors

Desktop Monitors  
Large screen Monitors  
Custom-made Monitors  
19" Rack Mount Monitors  
Rear Mount Monitors  
Monitors for Panel Mount  
Monitors for VESA Mount  
Kiosks  
Accessories

## • Monitors – Specific applications

Stainless Steel Monitors  
Car Displays  
Marine Monitors  
Military Monitors  
Replacement Monitors  
Train Monitors

## • Panel PC's

High Performance Systems  
Custom made Panel PC's  
Low Power Systems  
Extreme environments

## • Pointing devices

Accessories  
Touchpads  
Trackballs  
Trackball Modules  
Joysticks  
Custom made Pointing Devices

## • Keyboards

Desktop Keyboards with or without pointer  
Built-in Keyboards with or without pointer  
Cables & Connectors  
Custom made Keyboards



Mulder-Hardenberg, est. 1927, is the answer to professional demands in the domain of electronic related environments. We don't just sell products. We use our multidiscipline knowledge to provide the best possible solution, designed to your specific interest.

### Contact details:

The Netherlands  
Mulder-Hardenberg B.V.  
Westerhoutpark 1a  
2012 JL Haarlem  
Tel.: +31 23 531 91 84  
infonl@m-h.biz

Belgium, France, Luxemburg  
Mulder-Hardenberg N.V.  
Hoge Weg 129  
B-2940 Stabroek  
Belgium  
Tel.: +32 3 660 13 20  
infoe@m-h.biz

Germany  
Mulder-Hardenberg GmbH  
Nordring 13  
D-65719 Hofheim/Ts  
Tel.: +49 6192 - 97 91 85  
infode@m-h.biz